

# 802 SERIES

## Pneumatic Toggle Clamps | Product Overview

### Features:

- Pneumatic version of Model 202-U
- Sensor ready for T-slot or round sensors
- Optional handle version allows for manual operation during setup and positioning

### Applications:

- Assembly
- Welding

### Also Available:

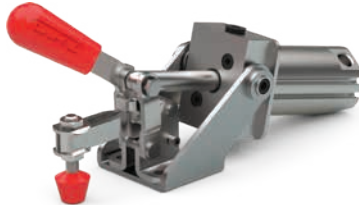
See page MC-ACC-1 for spindle accessories

See page MC-PSC-38 for sensing options

802-U  
802-UE



802-UH  
802-UEH



## Technical Information | Holding Capacities

Model	Maximum Holding Capacity		Max. Exerting Force @ 5 bar [72 PSI]		Weight	Bore Size	Air Consumption† dm <sup>3</sup> [ft <sup>3</sup> ]	Port Size	Accessories (Supplied)	
	Inner	Outer	Inner	Outer					Spindle Accessory	Flanged Washers
802-U								1/8 NPT	202208-M	215105
802-UE	[200 lbf]	[110 lbf]	[200 lbf]	[110 lbf]	[1.52 lbs]	[0.79]	[0.0006]	G-1/8		
802-UH	890 N	490 N	890 N	490 N	0,69 kg	20	0,02	1/8 NPT		
802-UEH								G-1/8		

†Per double stroke at 5 bar [72 PSI]

**Max Cylinder Pressure:** 10bar [145psig]\*

**Max Operating Temp:** -10°C to 90°C [-14°F to 194°F]

**Replacement Seal Kit:** 802550-20-1-00

**Replacement Clamp Assembly:** 802-U-LC

**Replacement Cylinder Assembly:** 802CYL

\*In no case should the inlet pressure be high enough to create an exerting force that exceeds the clamp's holding capacity. See Technical Appendix for details.

### Sensor Accessories

Round Reed Switch with Quick Disconnect

T-slot Reed Switch with Quick Disconnect

Quick Disconnect 2M Extension Cable

Quick Disconnect 5M Extension Cable

### Item Number

810169

8EA-109-1

CABL-010

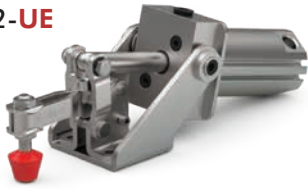
CABL-013

See Pneumatic Accessories section for more options

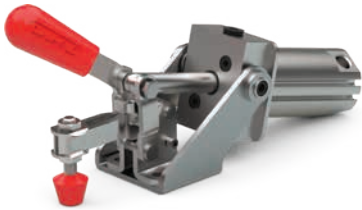
# 802 SERIES

## Pneumatic Toggle Clamps | Dimensions | -U/-UE/-UH/-UEH

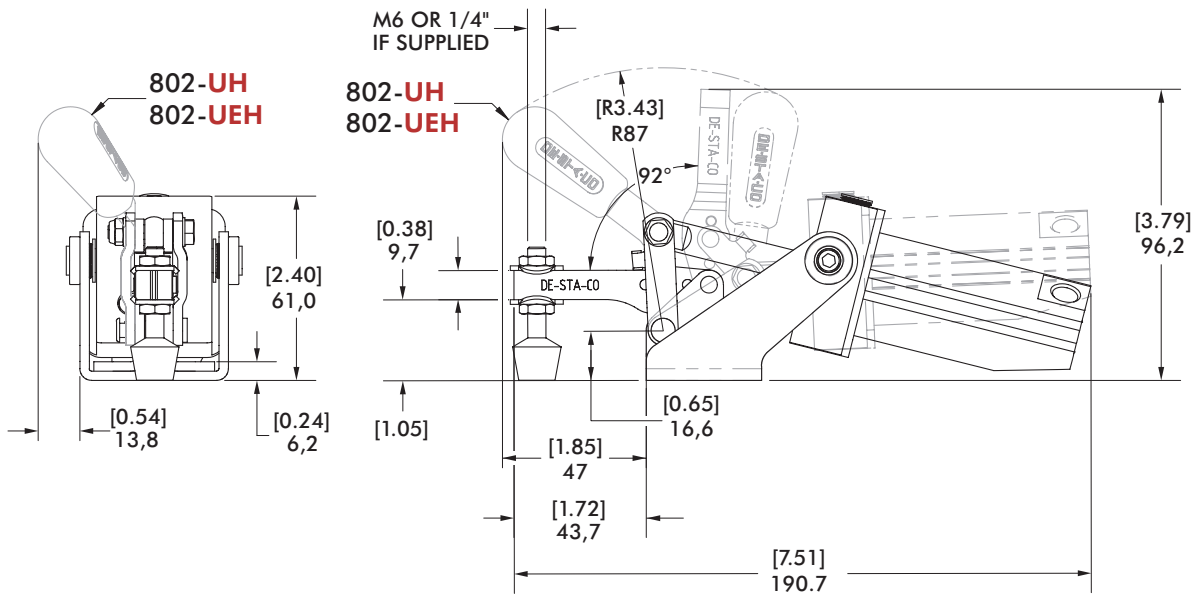
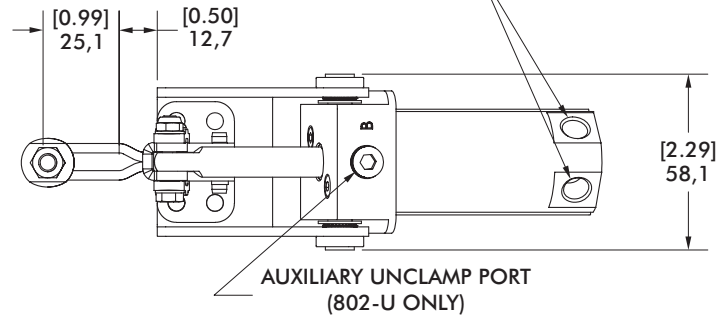
802-U  
802-UE



802-UH  
802-UEH



802-U / UH 1/8" NPT  
802-UE / UEH G-1/8



mm [INCH]  
THIRD ANGLE PROJECTION

